



Genuine article-oriented evaluation standards device for HD-PLC

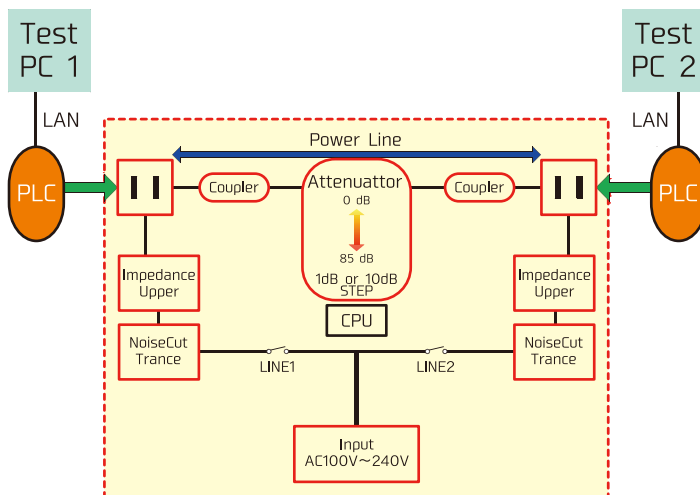
Highly reproducible devices

This device has been adopted in the HD-PLC test house therefore, it is suitable for prior evaluation.

Simulation the Power line

In attenuator to simulate the length of the Power Line (wire). Detailed measurement data you can get.

内部構成図 _ 概要



PLC ATT SYSTEM **DiLINE**

Chassis	model:DQL1400
Size(mm)	500(W)× 300(H)× 400(D)
Material	Steel / Aluminum
Total Weight	19kg

Electrical Specifications

Input supply voltage	AC100V-240V
Power consumption	10W
Attenuator	
Attenuator rate	0-85dB
Step Width	10dB and 1dB step
Passing allowable power	+24dBm(RF)
Control mode	Manual operation only
PLC outlet	
Supply voltage	Is equal to the input power supply voltage
Allowable power	50W(Each Master and Terminal)
Pole number	N,L,FG
Shape	JIS,UL,CSA,AS,CEE,DIN, BS,CEI,SEV,
Number of connection	1set(Master-Terminal)
Insulation resistance	AC10MΩ以上(AC500V)
Usage environment	
Ambient temperature	25± 15℃
Ambient humidity	No condensation